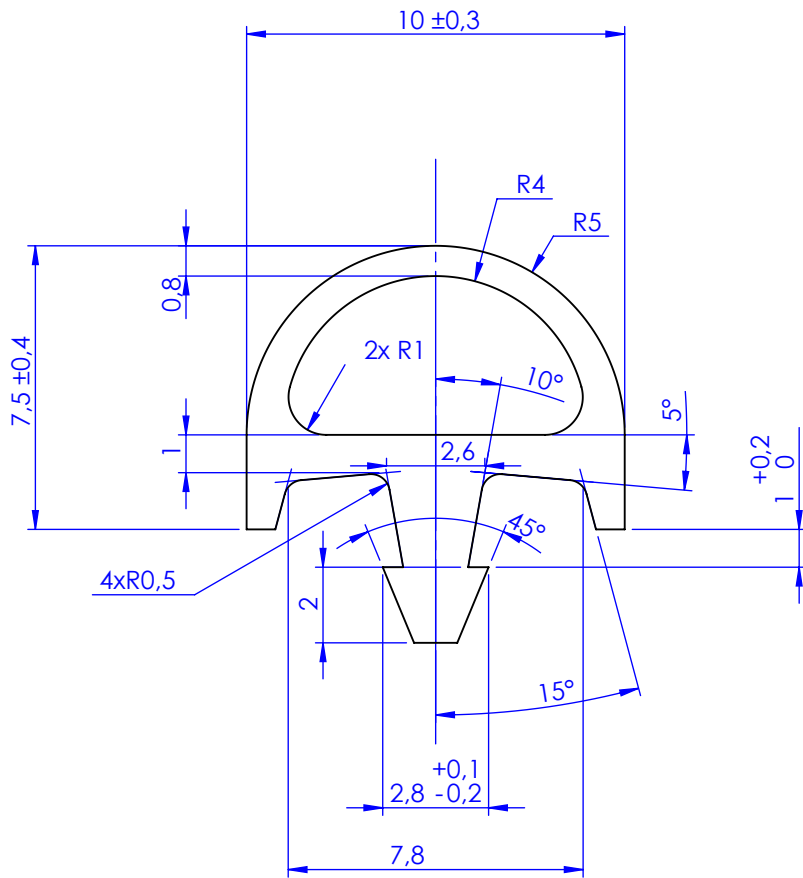
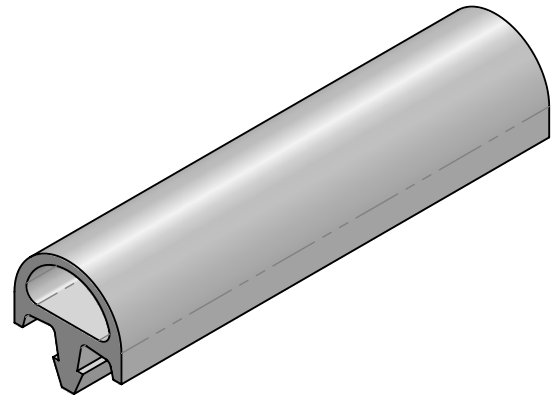


The information contained in this drawing is the sole property of Merefesa. It must not be copied or used for production or communicated to a third party, without the expressed written permission of this company.

Rev.	Date	Checked	Description
------	------	---------	-------------



Tolerances: ISO-3302-1:1996 CLASS E2			Dim.: 10x10,50 mm	Material/Aditive: VMQ Silicone		
			Color:			
Designed	Date 14/09/2015	Name T. C.	MOQ: 0	Hardness: 70 Sh A		
Verified	14/09/2015	R. J.	Tool:	Weight: 45.5 g/m		
Approved			File Name: P93230A			
Production			Customer Ref.:			
Quality			Title:			
			Ref.:			
			P93230A		Scale: 5:1	
					Format: A4 Sheet: 1/1	